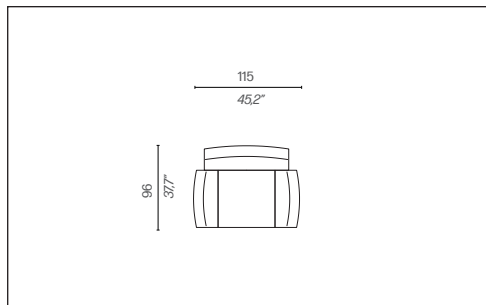


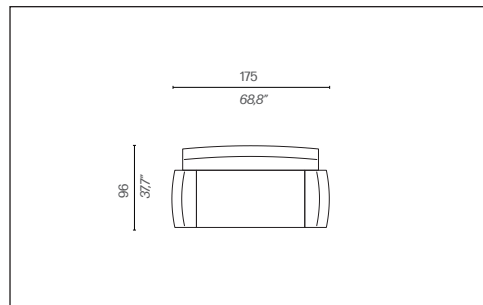
NEIL

by L + R Palomba

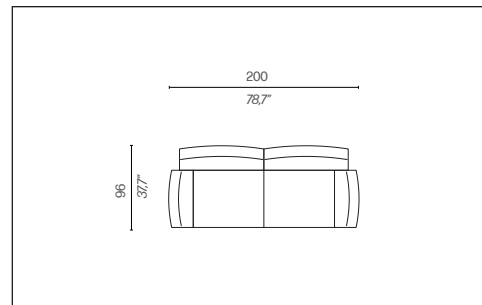
Poltrona/Armchair
Codice/Code: D43268A



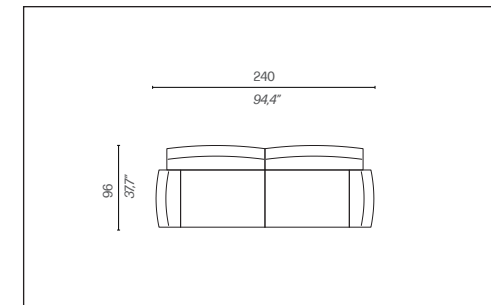
Divano a due posti/Two-seater sofa
Codice/Code: D43275C



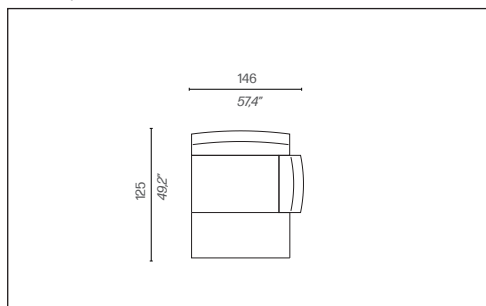
Divano a tre posti/Three-seater sofa
Codice/Code: D43276C



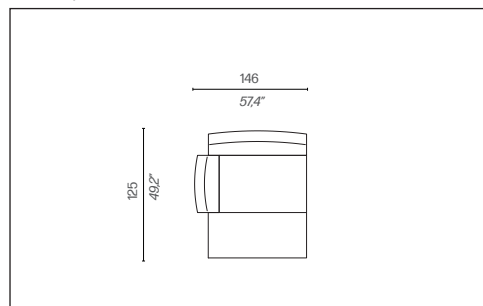
Divano a quattro posti/Four-seater sofa
Codice/Code: D43279C



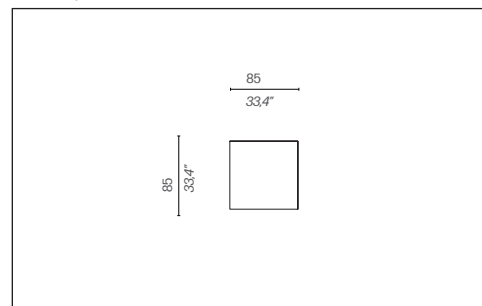
Dormeuse destra/Right daybed
Codice/Code: D43303M



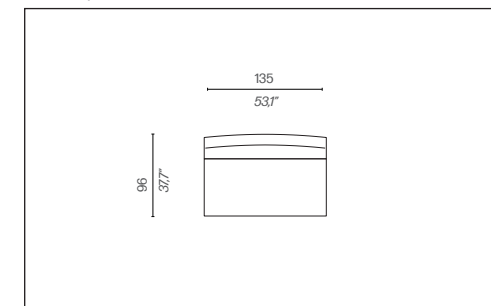
Dormeuse sinistra/Left daybed
Codice/Code: D43304M



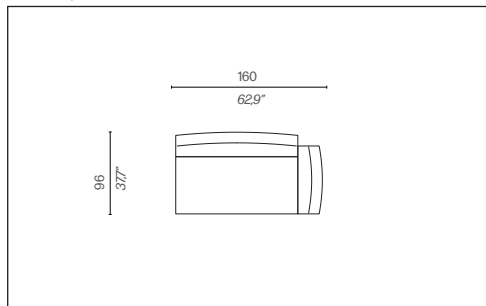
Pouf/Ottoman
Codice/Code: D43320C



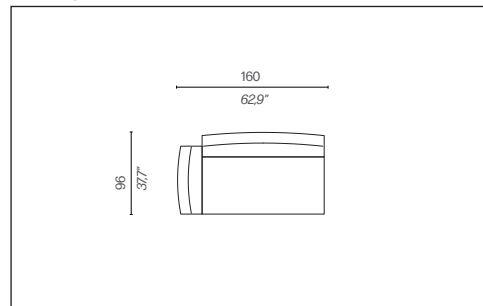
Elemento centrale L. 135/Central element W. 135 / W. 53.1"
Codice/Code: D43355M



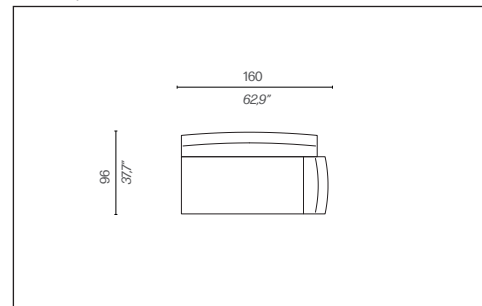
Elemento angolare destro L. 160
Right corner element W. 160 / 62.9"
Codice/Code: D43377D



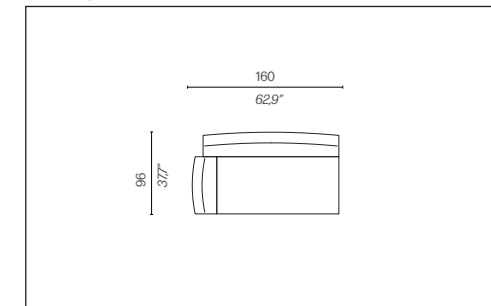
Elemento angolare sinistro L. 160
Left corner element W. 160 / 62.9"
Codice/Code: D43378D



Elemento terminale destro L. 160
Right closing element W. 62.9"
Codice/Code: D43451E



Elemento terminale sinistro L. 160
Left closing element W. 62.9"
Codice/Code: D43452E



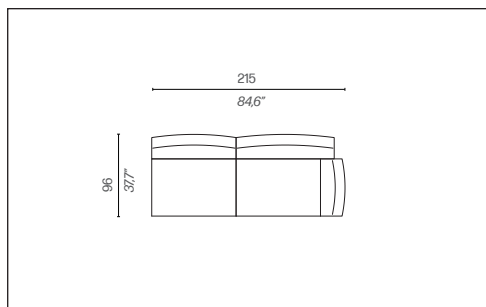
NEIL

by L + R Palomba

Elemento terminale destro L. 215

Right closing element W. 84,6"

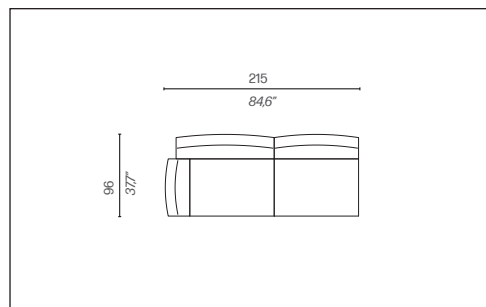
Codice/Code: D43471E



Elemento terminale sinistro L. 215

Left closing element W. 84,6"

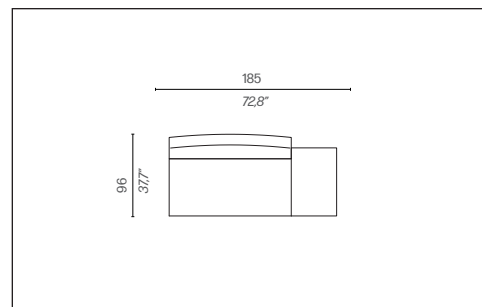
Codice/Code: D43472E



Elemento terminale aperto destro L. 185

Right opened closing element W. 185 / 72,8"

Codice/Code: D43871E



Elemento terminale aperto sinistro L. 185

Left opened closing element W. 185 / 72,8"

Codice/Code: D43872E

